

Project: \_\_\_\_\_  
Part#: \_\_\_\_\_  
Type: \_\_\_\_\_

# Emergency LED Light

Now available is the EnVision Emergency LED Light. Place these fixtures on walls or ceilings near exit locations, and even combine these lights with our Emergency EXIT Signs for a great EXIT sign combination. With a nickel cadmium battery, the charging time for this fixture is 24 hours, with a discharge time or backup time of 90 minutes.

**Applications:**

- Wall Mounting
- Ceiling Mounting

**Product Information:**

- Super bright SMD LED
- Film protectant for extra shatter protection (food industry OK)
- Non-Dimmable

**Additional Details:**

Voltage: 120-277V  
Lumens: 180lm  
Power Consumption: 2.5W Max  
Output: 3.5W Max  
Charging Time: 24 Hours  
Discharge Time: 90 Minutes  
Operating Temp: 0° C ~ 40° C  
Dimensions: 13.36" x 3.73" x 4.52"  
UL-94V-0 Flame rating, fire-resistant

L E D - E M - D H  
1

**1**

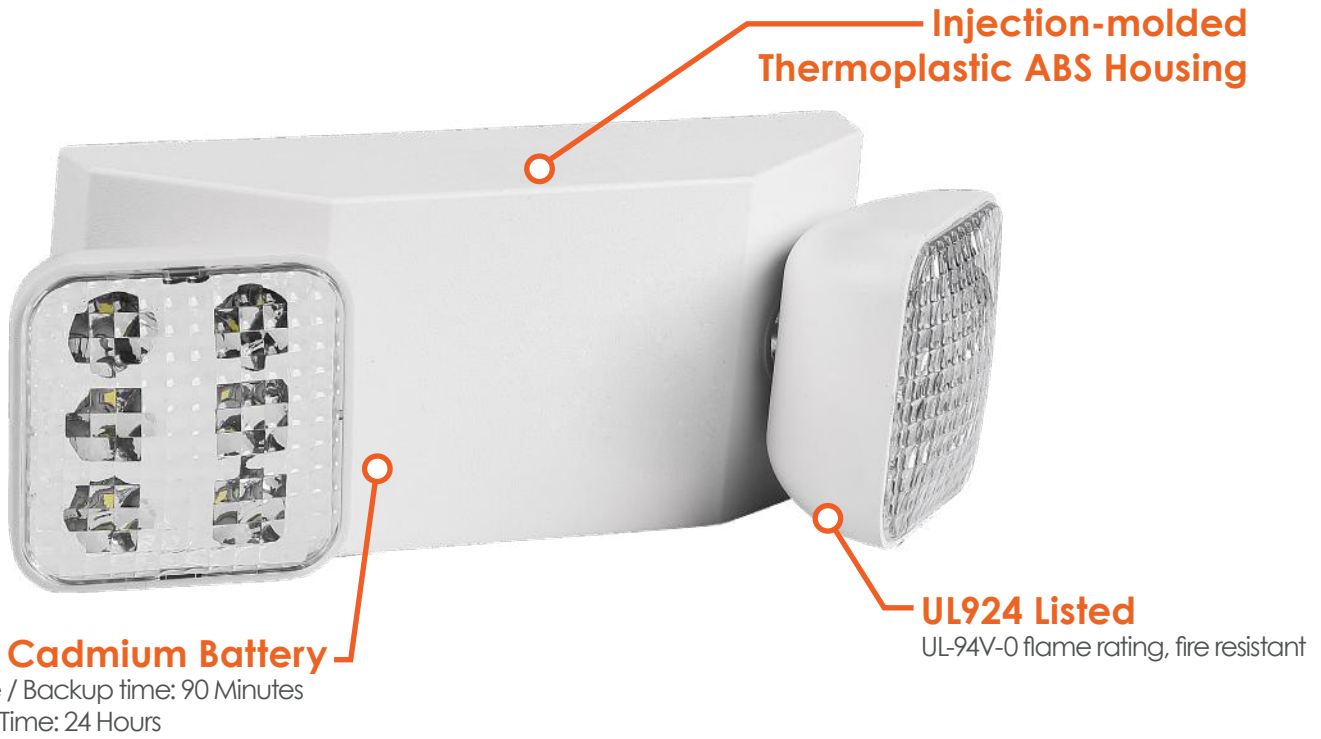
LED-EM-DH

**Product**

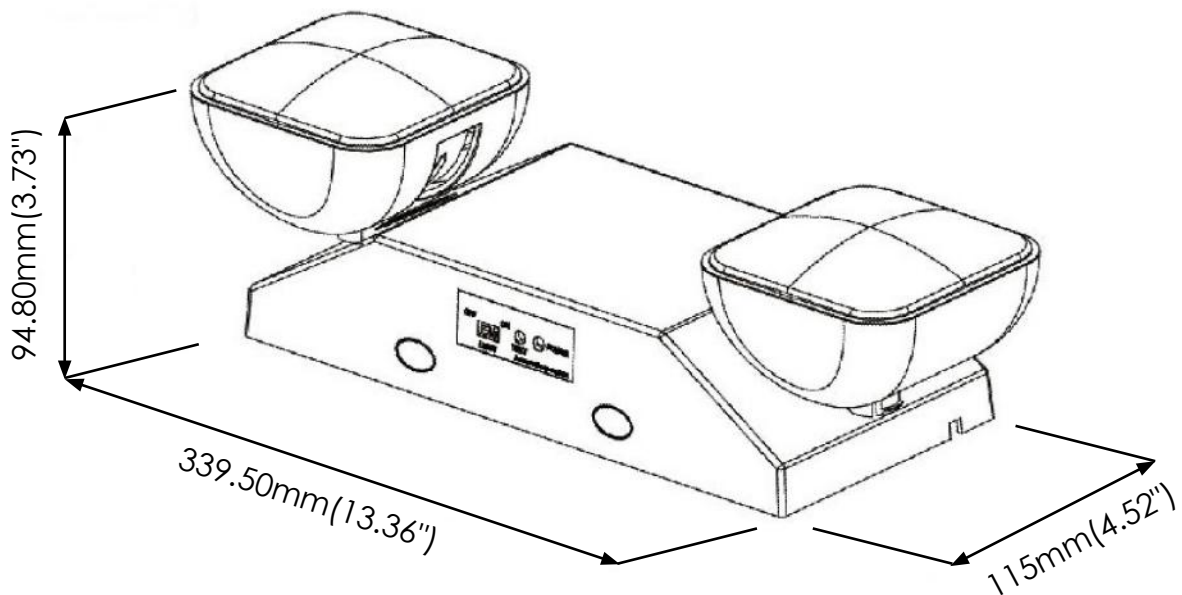
Emergency LED Light

*Specs and model numbers are subject to change with or without notice*

## Features



## Dimensions



## Installation Guide: Wall Mounting

**NOTE: First turn off electricity**

**Step 1:** Remove mounting plate from fixture

**Step 2:** Knockout in back of mounting plate and push wires through the hole

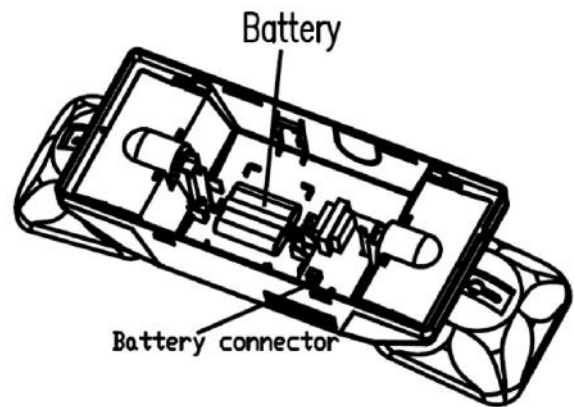
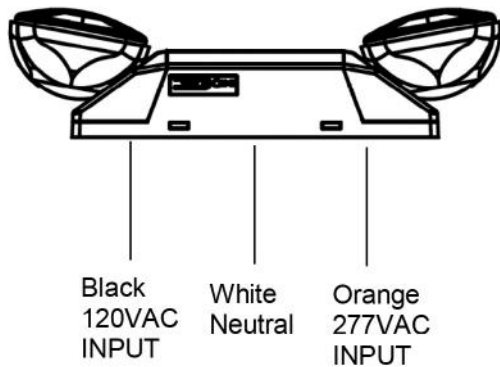
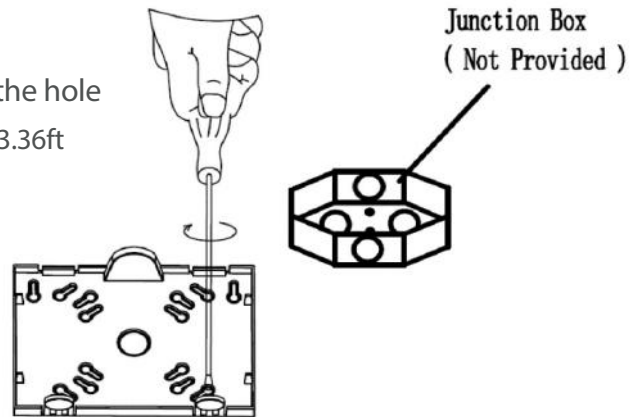
**Step 3:** Securely attach mounting plate to J-box. Max. mounting height is 13.36ft

**Step 4:** Make the proper supply wire connections (See image below)

**Step 5:** Connect the battery to connector on the PCBA

**Step 6:** Snap fixture onto mounting plate and ensure no wires are pinched. Make sure unit is fully attached

**Step 7:** Restore power and press test button. Battery powered LED will come on, AC light will turn off.



## Installation Guide: Ceiling Mounting

**NOTE: First turn off electricity**

**Step 1:** Open top cover and knockout on the top of the fixture

**Step 2:** Secure the mounting plate to tube with nut

**Step 3:** Reference step 4-7 in wall mounting above for ceiling mounting

